

Product Type 2385 Compression Load Cells



The Type 2385 Heavy Duty Welded Compression Load Cells are robust, sealed sensors designed for use in harsh environments. They are, however, accurate and easy to use, as well as being adaptable to a large number of applications.

- **Load ratings 50 - 1000 te**
- **Robust and Sealed**
- **Accurate and adaptable**
- **Easy to use**
- **Suitable for Hazardous Areas**

Full environmental protection is effected by welding the instrumented element and its protective cover; the cable outlet is also protected.

A complete range of standard ratings is available from 50 up to 1000 Tonne, each Cell is fitted with a domed loading cap which greatly reduces the effect of offset loads often encountered on site. To ease handling, Cells can be with heavy duty carrying handles, one of which also gives physical protection to the cable exit.

The cable exit is made via an integral connector which allows mating on site, thus removing the need for large lengths of heavy duty cable whilst positioning each Cell.

As with all of the Company's Load Cells, the 2385 series can be used with Strainstall's extensive range of standard and special instrumentation packages. It is supplied with a full certificate of calibration.



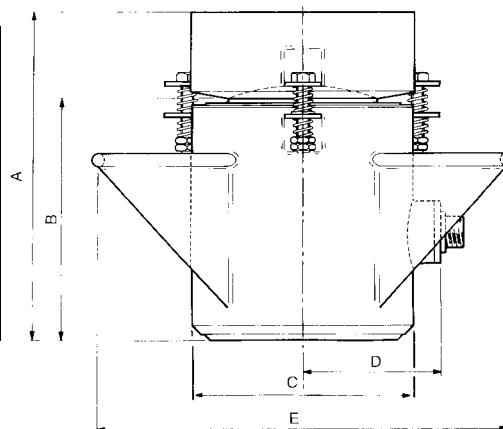
Typical Specification

Rated Load	50 – 1000 tonne
Proof Load	150% of rated load
Ultimate Load	300% of rated load
Safe Side Load	10% of rated load
Rated Output	1.5 mV/V nominal
Recommended Excitation Voltage	10V
Maximum Excitation Voltage	15V
Zero Balance	± 2% of rated load
Bridge Resistance	700 ohm nominal
Insulation Resistance	>2G.Ohm @ 100V
Accuracy	±0.15% of output at rated load, maximum ±0.20%. As calibrated in a BS EN ISO 7500-1 test machine traceable to National Standards.
Non-Repeatability	0.03% of rated load
Zero Temperature Coefficient	±0.005% of rated load per °C.
Span Temperature Co-efficient	±0.005% of reading per °C.
Maximum Operating Temperature Range	-20 to +80°C.
Compensated Temperature Range	0 to +60°C.
Electrical Connection	Integral water resistant connector supplied with mating socket – cable length to be specified on order. Red +ve Supply. Green +ve Signal. Blue –ve Supply. Yellow +ve Signal.
Environmental Sealing	Equivalent to IP67.

Note: Where particular requirements are critical or load cells of a higher specification are required, we would be delighted to assist.

Type Number	Rating Tonne	A	B	C	D	E	Wt Kg
2385	1000	410	330	260	150	410	150
2385	900	410	330	260	150	410	150
2385	800	410	330	260	150	410	150
2385	700	410	330	260	150	410	150
2385	600	410	330	260	150	410	150
2385	500	270	200	180	110	330	50
2385	400	270	200	180	110	330	50
2385	300	270	200	180	110	330	50
2385	200	235	175	127	84	240	24
2385	100	168	118	114	77	210	14
2385	50	168	118	114	77	210	14

Dimensions in mm



Due to continuous development, Straininstall UK reserve the right to change specification without notice.

STRAININSTALL's team of experienced engineers operates from offices in Cowes, Bath and Aberdeen (UK) and Tønsberg (Norway). For further information, please contact:

Straininstall UK Ltd.
9-10 Mariners Way
Cowes
Isle of Wight PO31 8PD
United Kingdom

Tel: +44(0)1983 203600
Fax: +44(0)1983 291335
Email: sales@straininstall.com

www.straininstall.com