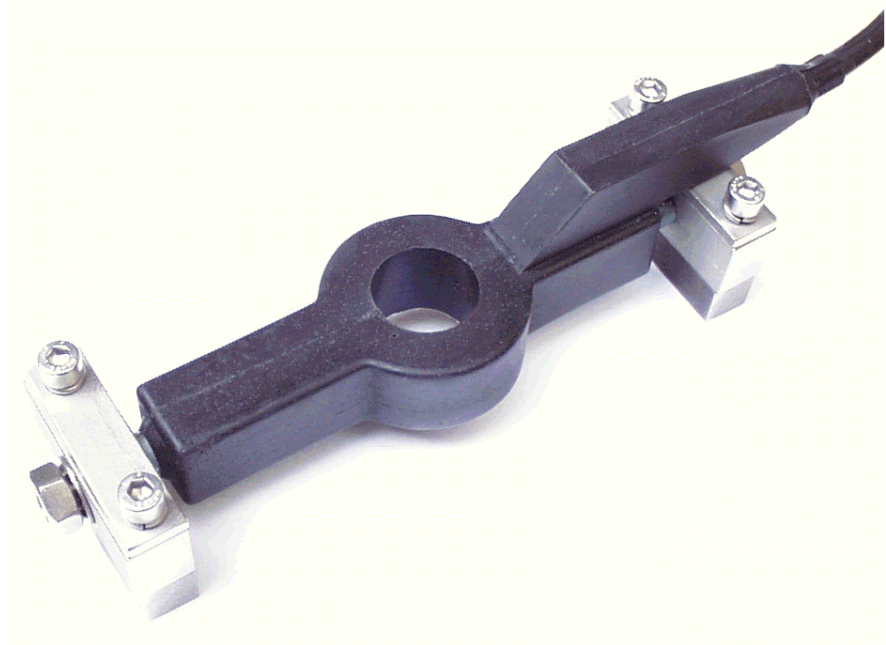




Strainstall

THE WORLD of **load measurement and stress analysis**

## Product Sealed Strain Ring – Type 5745



The type 5745 Strain Ring was originally designed for deep sea structure monitoring; however, its ease of installation and versatility has made it popular in many other applications.

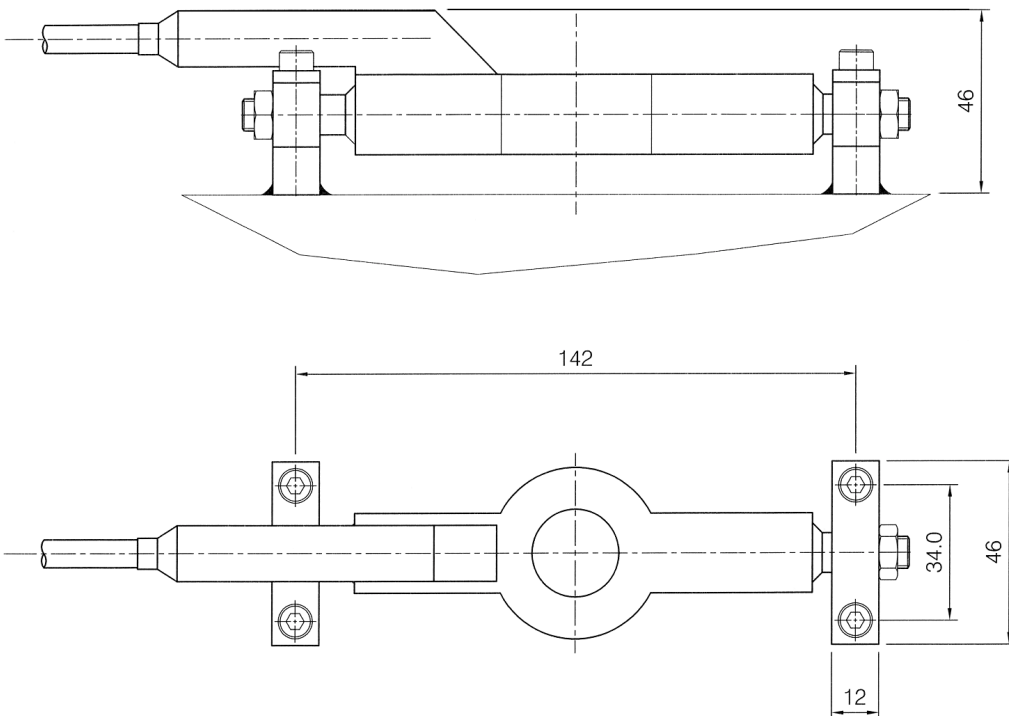
- **Easy Installation and Removal**
- **Large  $\pm$  linear strain range**
- **Sealed for 100m immersion**
- **Mechanical zero adjustment**

Tapped mounting blocks are bolted or welded (using a simple welding jig) to the stressed points of a structure. The strain ring is then simply bolted to the welded blocks and installation is complete. Ideal for retrofitting to existing structures where strain gauging or load cells would be difficult to fit.

Its unique characteristics make the 5745 far superior in accuracy and versatility to all other 'bolt-on' designs.

## Specification:

Type:	Full bridge resistive strain gauge
Material:	Aluminium, carbon or stainless steel
Encapsulation:	PU with integral cable
Linear strain range:	$\pm 2000$ microstrain
Linearity	$\pm 1\%$
Recommended excitation	+1V to +5V
Bridge resistance	350 ohm
Zero adjustment	Mechanical
Shear on mounting @ 2000 microstrain	100N
Current consumption	14mA @ 5V
Operating temperature	-15 to +80 deg C
Pressure limit	100m water head
Cable type	4-core screened PU
Cable length - industrial	10 metre
Cable length - marine	As specified



Dimensions in mm

Due to continuous development, Straininstall UK reserve the right to change specification without notice.



STRAININSTALL's team of experienced engineers operates from offices in Cowes, Bath and Aberdeen (UK) and Tønsberg (Norway). For further information, please contact:

**Straininstall UK Ltd.**  
 9/10 Mariners Way  
 Cowes  
 Isle of Wight PO31 8PD  
 United Kingdom

Tel: +44(0)1983 203600  
 Fax: +44(0)1983 291335  
 Email: [sales@straininstall.com](mailto:sales@straininstall.com)

[www.straininstall.com](http://www.straininstall.com)